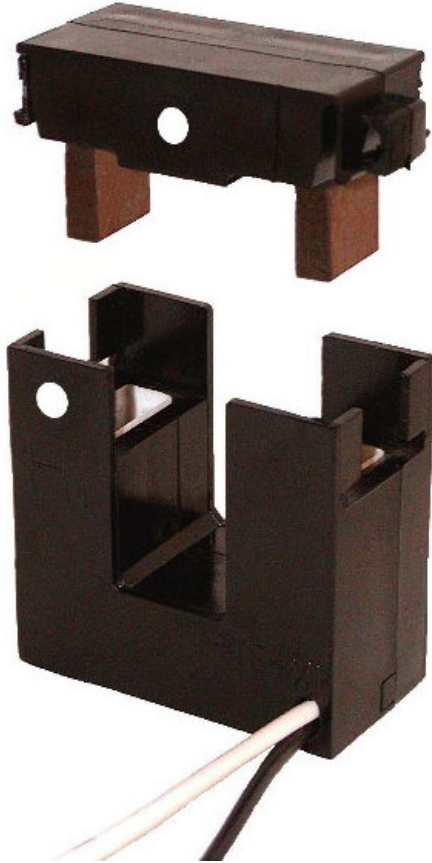




REGULATORY AGENCY APPROVALS



APPLICATION:

For energy management systems and instrumentation equipment.

FREQUENCY:

50–400 Hz.

INSULATION LEVEL:

0.6 kV, BIL 10 kV full wave.

CONSTRUCTION:

The core and winding are encased in U.L. approved plastic.

**CONTINUOUS THERMAL
CURRENT RATING FACTOR:**

1.33 at 30°C. amb., 1.0 at 55°C. amb.

Flexible leads are UL 1015, 105°C, #18 AWG, 36" long unless otherwise specified.

Approximate Weight 0.4 lbs.

5

CATALOG NUMBER	CURRENT RATIO	ACCURACY	BURDEN
614-101-0.1	100:0.1	1%	5 ohm
614-201-0.1	200:0.1	1%	5 ohm

Model 614 Split Core/Clamp On

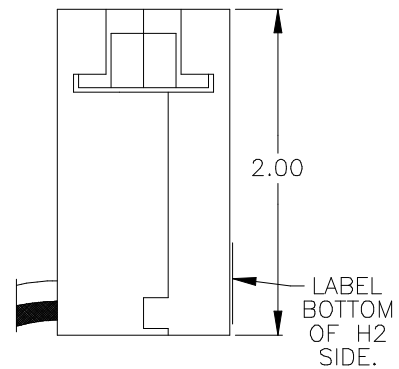
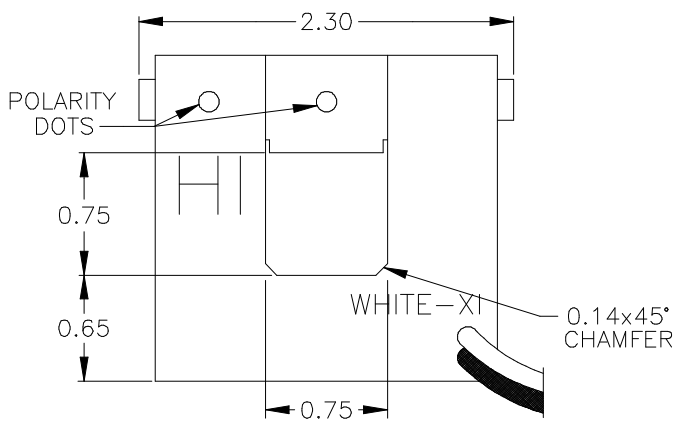
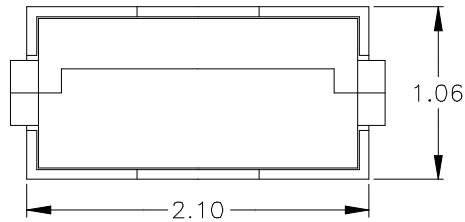
This transformer is designed for assembly to an existing electrical installation without the need for dismantling the primary bus or cables.

Caution:

Proper safety precautions must be followed during installation by a trained electrician. Never install while bus is energized.

The current transformer must have its secondary terminals short circuited or the burden connected, before energizing the primary circuit.

5



USA, Canada, Asia, Latin America

Tel: +1-800-547-8629

Fax: +1-905-201-2455

e-mail: sales.multilin@ge.com

Europe, Middle East, Africa

Tel: +34-94-485-88-00

Fax: +34-94-485-88-45

e-mail: gemultilin.euro@ge.com