



APPLICATION:

Protective and measuring.

FREQUENCY:

50-400 Hz.

INSULATION LEVEL:

0.72kV

CONTINUOUS THERMAL

CURRENT RATING FACTOR:

50:5 thru 1500:5 2.00 at 30°C. amb.,

1.50 at 55°C. amb.

2000:5 thru 4000:5 1.33 at 30°C. amb.,

1.00 at 55°C. amb.

Secondary terminals are brass screws ASA 10-32 with one flatwasher and lockwasher, accessible from either side.

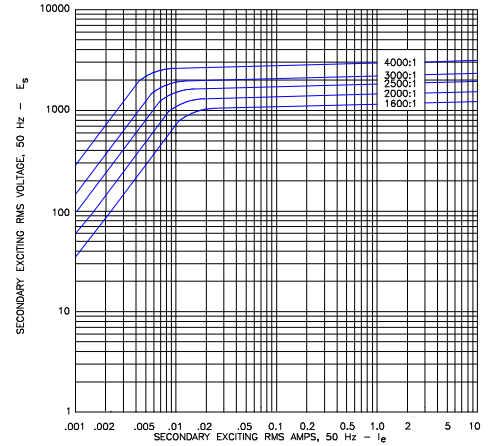
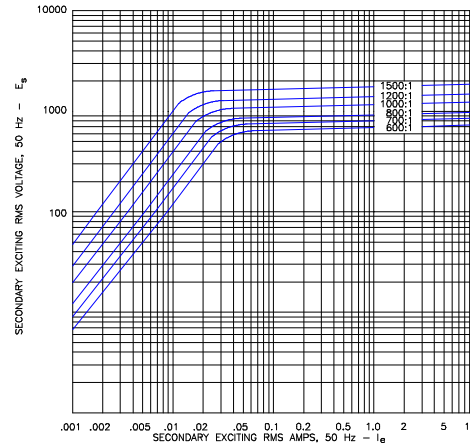
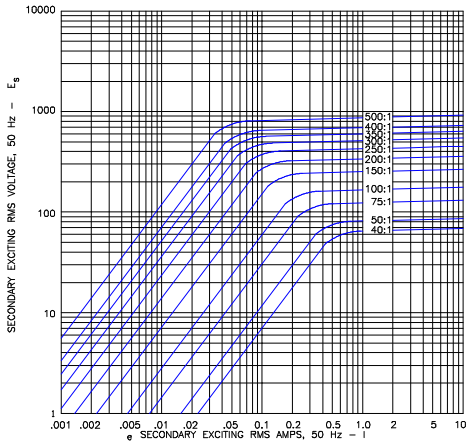
Approximate weight 29.1 kg

1 AMP SECONDARY

CATALOG NUMBER	CURRENT RATIO	IEC 44-1 PROTECTIVE CLASS AT 50Hz					IEC 44-1 MEASURING CLASS AT 50Hz					SECONDARY WINDING RESISTANCE (OHMS @ 75° C.)
		BURDEN VA					BURDEN VA					
		2.5	5	10	15	30	2.5	5	10	15	30	
685I-400-1	40:1	10P20	-	-	-	-	3.0	-	-	-	-	0.221
685I-500-1	50:1	10P20	10P10	-	-	-	3.0	5.0	-	-	-	0.278
685I-750-1	75:1	10P30	10P20	10P10	-	-	3.0	3.0	3.0	5.0	-	0.418
685I-101-1	100:1	5P30	5P30	10P15	10P10	-	1.0	1.0	3.0	3.0	5.0	0.558
685I-151-1	150:1	5P30	5P30	5P20	10P10	10P5	0.5	1.0	1.0	3.0	3.0	2.117
685I-201-1	200:1	5P30	5P30	5P20	5P15/10P20	10P10	0.5	0.5	0.5	1.0	1.0	2.823
685I-251-1	250:1	5P30	5P30	5P30	5P20	5P10	0.5	0.5	0.5	1.0	1.0	3.529
685I-301-1	300:1	5P30	5P30	5P30	5P30	5P15	0.2	0.5	0.5	0.5	1.0	4.234
685I-351-1	350:1	5P30	5P30	5P30	5P30	5P15/10P20	0.2	0.2	0.5	0.5	0.5	4.940
685I-401-1	400:1	5P30	5P30	5P30	5P30	5P20	0.2	0.2	0.5	0.5	0.5	5.646
685I-501-1	500:1	5P30	5P30	5P30	5P30	5P20	0.1	0.2	0.2	0.2	0.5	7.057
685I-601-1	600:1	5P30	5P30	5P30	5P30	5P15/10P20	0.2	0.2	0.2	0.2	0.5	7.384
685I-701-1	700:1	5P30	5P30	5P30	5P30	5P20	0.1	0.1	0.2	0.2	0.5	8.615
685I-801-1	800:1	5P30	5P30	5P30	5P30	5P20	0.1	0.1	0.1	0.2	0.2	9.846
685I-102-1	1000:1	5P30	5P30	5P30	5P30	5P30	0.1	0.1	0.1	0.1	0.2	12.31
685I-122-1	1200:1	5P30	5P30	5P30	5P30	5P30	0.1	0.1	0.1	0.1	0.1	14.77
685I-152-1	1500:1	5P30	5P30	5P30	5P30	5P30	0.1	0.1	0.1	0.1	0.1	16.95
685I-162-1	1600:1	5P30	5P30	5P30	5P30	5P20	0.1	0.1	0.1	0.1	0.1	18.35
685I-202-1	2000:1	5P30	5P30	5P30	5P30	5P20	0.1	0.1	0.1	0.1	0.1	20.61
685I-252-1	2500:1	5P30	5P30	5P30	5P20/10P30	5P20	0.1	0.1	0.1	0.1	0.1	26.04
685I-302-1	3000:1	5P30	5P30	5P30	5P30	5P30	0.1	0.1	0.1	0.1	0.1	31.57
685I-402-1	4000:1	5P30	5P30	5P30	5P30	5P30	0.1	0.1	0.1	0.1	0.1	42.53

Model 685I

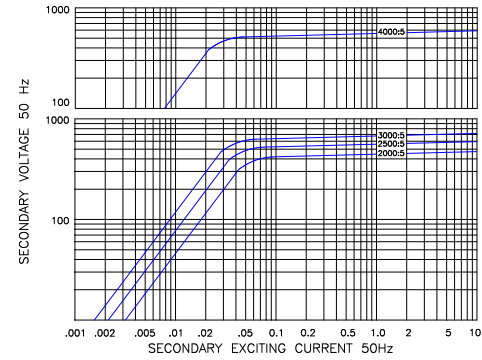
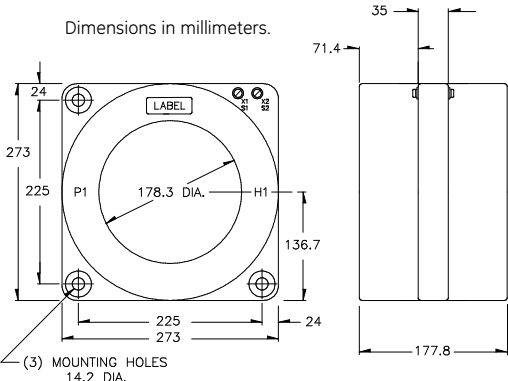
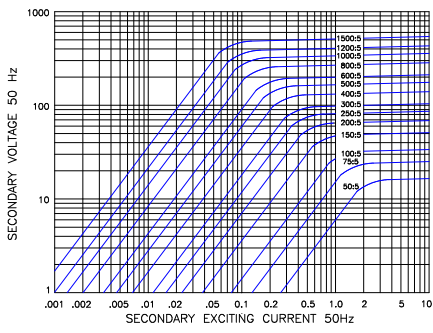
Excitation Curves - 1 Amp Secondary



5 AMP SECONDARY

CATALOG NUMBER	CURRENT RATIO	IEC 44-1 PROTECTIVE CLASS AT 50Hz					IEC 44-1 MEASURING CLASS AT 50Hz					SECONDARY WINDING RESISTANCE (OHMS @ 75° C.)
		BURDEN VA					BURDEN VA					
		2.5	5	10	15	30	2.5	5	10	15	30	
685I-500-5	50:5	10P20	-	-	-	-	3.0	5.0	-	-	-	0.029
685I-750-5	75:5	10P30	10P20	-	-	-	3.0	3.0	5.0	5.0	-	0.043
685I-101-5	100:5	5P30	10P30	10P15	10P10	-	1.0	3.0	3.0	3.0	-	0.058
685I-151-5	150:5	5P30	5P30	5P20	10P15	10P5	0.5	1.0	1.0	3.0	3.0	0.086
685I-201-5	200:5	5P30	5P30	5P20	5P15/10P20	10P10	0.5	0.5	1.0	1.0	3.0	0.118
685I-251-5	250:5	5P30	5P30	5P30	5P20	5P10	0.5	0.5	0.5	1.0	1.0	0.147
685I-301-5	300:5	5P30	5P30	5P30	5P20	5P15	0.5	0.5	0.5	0.5	1.0	0.177
685I-401-5	400:5	5P30	5P30	5P30	5P30	5P20	0.2	0.5	0.5	0.5	0.5	0.236
685I-501-5	500:5	5P30	5P30	5P30	5P30	5P20	0.2	0.2	0.2	0.5	0.5	0.295
685I-601-5	600:5	5P30	5P30	5P30	5P30	5P20/10P30	0.2	0.2	0.2	0.2	0.5	0.354
685I-801-5	800:5	5P30	5P30	5P30	5P30	5P30	0.2	0.2	0.2	0.2	0.2	0.472
685I-102-5	1000:5	5P30	5P30	5P30	5P30	5P30	0.2	0.2	0.2	0.2	0.2	0.590
685I-122-5	1200:5	5P30	5P30	5P30	5P30	5P30	0.2	0.2	0.2	0.2	0.2	0.708
685I-152-5	1500:5	5P30	5P30	5P30	5P30	5P30	0.2	0.2	0.2	0.2	0.2	0.884
685I-202-5	2000:5	5P30	5P30	5P30	5P30	5P30	0.2	0.2	0.2	0.2	0.2	1.039
685I-252-5	2500:5	5P30	5P30	5P30	5P30	5P30	0.2	0.2	0.2	0.2	0.2	1.298
685I-302-5	3000:5	5P30	5P30	5P30	5P30	5P30	0.2	0.2	0.2	0.2	0.2	1.558
685I-402-5	4000:5	5P30	5P30	5P30	5P30	5P30	0.2	0.2	0.2	0.2	0.2	1.956

10



USA, Canada, Asia, Latin America
 Tel: +1-800-547-8629
 Fax: +1-905-201-2455
 e-mail: sales.multilin@ge.com

Europe, Middle East, Africa
 Tel: +34-94-485-88-00
 Fax: +34-94-485-88-45
 e-mail: gmultilin.euro@ge.com