



**Instrument Transformers, Inc.**

a division of GE Multilin



# Current Transformer *IEC Rated 50Hz* Models GA30, GA30x30, GA40, GA60, GA80, GA100

Window Diameters 23mm, 22mm, 31mm, 46mm, 52mm, 62mm



Part Number:

**GA60 - 801 - 1**

Ratio Suffix  
Model

**APPLICATION:**

Instrumentation and Metering.

**FREQUENCY:**

50-60 Hz.

**INSULATION LEVEL:**

0.72kV

**COMPLIANCE:**

IEC 60044-1 Metering Accuracy

**FEATURES:**

Primary Current from 5 to 3000 amps.

Secondary Current 1 or 5 amp.

Six sizes.

Meets IEC std. 60044-1 and CE.

**FEATURES:**

Stepped window to fit bus bars.

Touch safe terminals.

Hardware for surface or bus mounting.

Examples: Part# GA30-101-1 is a Model GA30, 100:1 Current Transformer  
Part # GA30x30-300 is a Model GA30x30, 30:5 Current Transformer

RATIO SUFFIX	MODEL	GA30			GA30 X 30			GA40			GA60			GA80			GA100		
	MAXIMUM BUS SIZE/QTY	30 X 10/1			30 X 10/1			40 X 10/1			60 X 10/1 60 X 6/1-2			80 X 10/1 60 X 10/1-2			100 X 10/1 80 X 10/1-2		
	ACCURACY CLASS	0.5	1	3	0.5	1	3	0.5	1	3	0.2	0.5	1.0	0.2	0.5	1.0	0.2	0.5	1.0
	Ratio	Rated Burden (VA)																	
-150	15:5 (5)*		2.5 (5)			2.5 (4)			2.5 (5)										
-200	20:5 (4)*		2.5 (4)			2.5 (3)			2.5 (4)										
-250	25:5 (3)*		2.5 (3)			2.5 (2)			2.5 (3)										
-300	30:5 (3)*		2.5 (3)			2.5 (2)			2.5 (3)										
-400	40:5 (2)*		2.5 (2)			2.5 (2)			2.5 (2)										
-500	50:5 (2)*		2.5 (2)			2.5			2.5 (2)										
-600	60:5 (2)*		2.5 (2)			2.5			2.5 (2)										
-750	75:5		2.5			2.5			2.5										
-101	100:5		2.5		2.5				2.5										
-151	150:5	2.5				5			2.5			2.5							
-201	200:5	5				5			5			5							
-251	250:5	5				10			5			5							
-301	300:5	5				10			5			5		5					
-401	400:5	5				10			5			5		5					
-501	500:5								10			10		10					
-601	600:5								10			10		10					10
-751	750:5								10			10		10					10
-801	800:5								10			10		10					10
-102	1000:5											15		15					15
-122	1200:5											20		20					20
-152	1500:5											20		20					20
-202	2000:5											20		20					20
-252	2500:5													30					30
-302	3000:5																		30

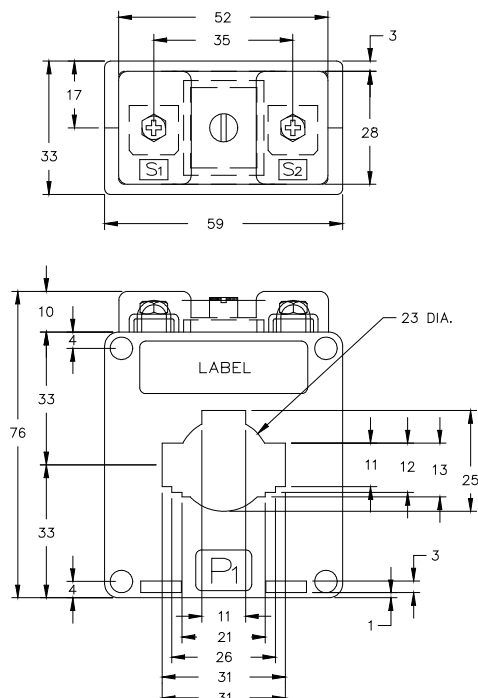
\* Number of primary turns

# Models GA30, GA30x30, GA40, GA60, GA80, GA100

RATIO SUFFIX	MODEL	GA30			GA30 X 30			GA40			GA60			GA80			GA100		
	MAXIMUM BUS SIZE/QTY	30 X 10/1			30 X 10/1			40 X 10/1			60 X 10/1 60 X 6/1-2			80 X 10/1 60 X 10/1-2			100 X 10/1 80 X 10/1-2		
	ACCURACY CLASS	0.5	1	3	0.5	1	3	0.5	1	3	0.2	0.5	1.0	0.2	0.5	1.0	0.2	0.5	1.0
	Ratio	Rated Burden ( $\Omega$ )																	
-50 -1	5:1 (3)*		0.5 (10)																
-100 -1	10:1 (2)*		0.5 (5)																
-150 -1	15:1		1 (4)																
-200 -1	20:1		1 (3)																
-250 -1	25:1		0.5 (2)																
-300 -1	30:1		1 (2)			2.5 (2)			1 (2)										
-400 -1	40:1		2.5 (2)			0.5			2.5 (2)										
-500 -1	50:1		0.5			1			0.5										
-600 -1	60:1		1			2.5			1										
-750 -1	75:1		2.5			2.5			2.5			2.5							
-101 -1	100:1		2.5		2.5				2.5			2.5							
-151 -1	150:1	2.5			5			2.5			2.5			2.5					
-201 -1	200:1	5			5			5			5			5				5	
-251 -1	250:1	5			10			5			5			5				5	
-301 -1	300:1	5			10			5			5			5				5	
-401 -1	400:1	5			10			5			5			5				5	
-501 -1	500:1							10			10			10				10	
-601 -1	600:1							10			10			10				10	
-751 -1	750:1							10			10			10				10	
-801 -1	800:1							10			10			10				10	
-102 -1	1000:1										10			10				10	
-152 -1	1500:1										15			15				15	
-202 -1	2000:1												15					15	
-252 -1	2500:1																	15	
-302 -1	3000:1																	15	

\* Number of primary turns

## Model GA30



Dimensions in millimeters.

**USA, Canada, Asia, Latin America**

Tel: +1-800-547-8629

Fax: +1-905-201-2455

e-mail: [sales.multilin@ge.com](mailto:sales.multilin@ge.com)

**Europe, Middle East, Africa**

Tel: +34-94-485-88-00

Fax: +34-94-485-88-45

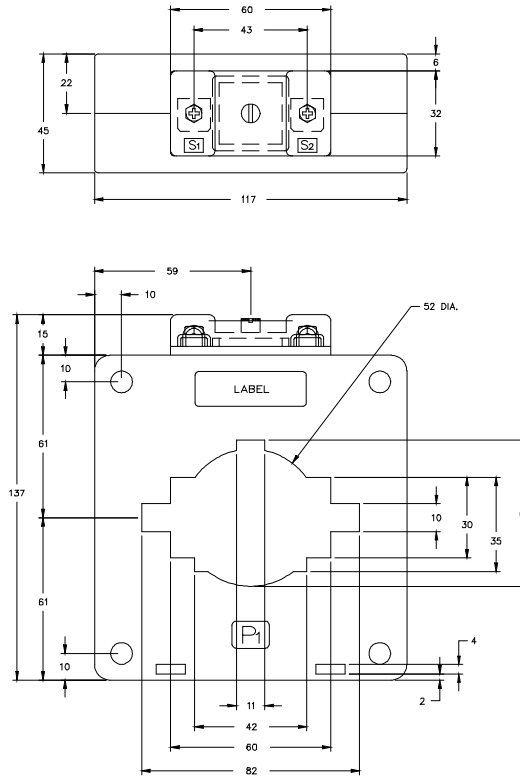
e-mail: [gmultilin.euro@ge.com](mailto:gmultilin.euro@ge.com)

Please refer to our website [www.GEMultilin.com](http://www.GEMultilin.com) for more detailed contact information

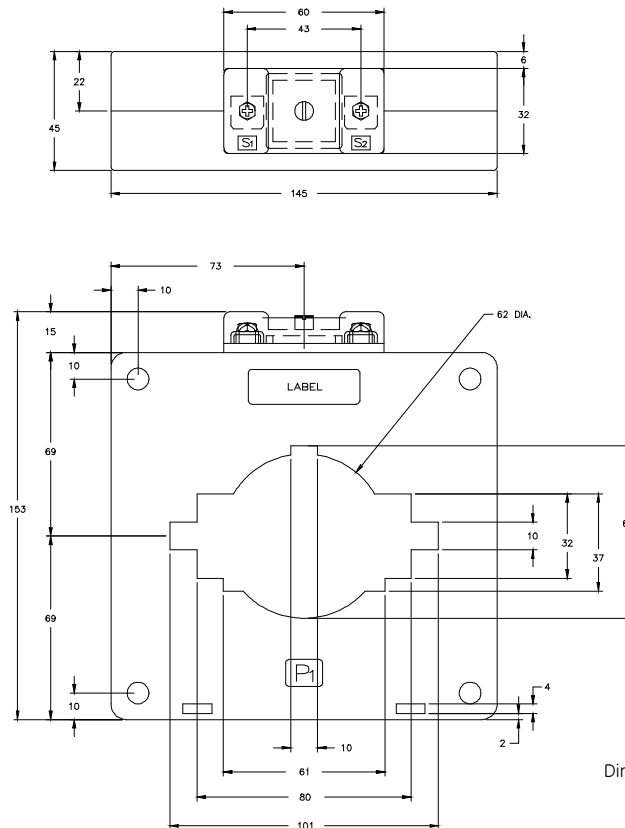


# Models GA30, GA30x30, GA40, GA60, GA80, GA100

## Model GA80



## Model GA100



Dimensions in millimeters.

**USA, Canada, Asia, Latin America**

Tel: +1-800-547-8629

Fax: +1-905-201-2455

e-mail: [sales.multilin@ge.com](mailto:sales.multilin@ge.com)

**Europe, Middle East, Africa**

Tel: +34-94-485-88-00

Fax: +34-94-485-88-45

e-mail: [gemultilin.euro@ge.com](mailto:gemultilin.euro@ge.com)

Please refer to our website [www.GEMultilin.com](http://www.GEMultilin.com) for more detailed contact information