



**Indoor/Outdoor Current Transformer**  
**Model JAB-OC 600V, 10kV BIL, 200-3000A**  
 Window Size 4.50" X 3.50"



**APPLICATION**

Designed for indoor service; especially designed for installation over the secondary bushings of pad mounted transformers from 75 kVA. For mounting and application information, including use at higher voltages, and matching the current rating to the pad transformer thermal capability, please refer to the Applications Information section of catalog GEP-9186.

**WEIGHT**

Approximately .....8.25 lbs

**REFERENCE DRAWINGS**

Outline .....0121C33851  
 Outline (Rectangular) .....0121C34472  
 Outline (1.88" cast) .....0121C34503  
 Outline (2.00" cast) .....0121C34986  
 Outline (2.50" cast) .....0121C40892

**INSULATION LEVEL**

0.6kV; BIL 10kV full wave

**FREQUENCY**

50-60 Hz

**JAB-OC DATA TABLE**

Current Ratio (Amps) Pri : Sec	ANSI Accuracy Class, 60 Hz Burden Per ANSI					Continuous Thermal Current Rating Factor $\psi$		Catalog Number (With Secondary Hardware and Cover)	Catalog Number for Rectangular cast JAB-OC
	BO.1	BO.2	BO.5	BO.9	B1.8	@ 30° C Amb.	@ 55° C Amb.		
* 100:5	0.3	--	--	--	--	4.0	4.0	750X136618	--
200:5	0.3	--	--	--	--	4.0	2.9	750X136202	750X136302
* 200:5	0.3	0.3	--	--	--	4.0	4.0	750X136668	--
* 300:5	0.3	0.3	0.3	--	--	3.0	2.2	750X136660	--
300:5	0.3	0.3	--	--	--	4.0	2.9	750X136203	750X136303
400:5	0.3	0.3	--	--	--	4.0	2.9	750X136204	750X136304
*400:5	0.3	0.3	0.3	--	--	4.0	2.9	750X136667	--
500:5	0.3	0.3	0.3	--	--	3.0	2.2	750X136205	750X136305
600:5	0.3	0.3	0.3	--	--	3.0	2.2	750X136206	750X136306
800:5	0.3	0.3	0.3	--	--	3.0	2.2	750X136208	750X136308
1000:5	0.3	0.3	0.3	--	--	2.0	1.5	750X136210	750X136310
1200:5	0.3	0.3	0.3	--	--	2.0	1.5	750X136212	750X136312
1500:5	0.3	0.3	0.3	0.3	--	2.0	1.5	750X136215	750X136315
*1500:5	0.3	0.3	0.3	0.3	--	3.0	2.4	750X136465	--
2000:5	0.3	0.3	0.3	0.3	0.3	1.5	1.1	750X136220	750X136320
3000:5	0.3	0.3	0.3	0.3	0.3	1.33	1.0	750X136230	750X136330
4000:5	0.3	0.3	0.3	0.3	0.3	1.0	0.7	750X136655	750X136423

Notes:

- ψ A high temperature version is available for use in locations with unusually high ambient temperatures. Consult factory for base plate provisions.
- \* Grecian Urn Style available in cast version only. Consult factory for dimensions.

## Construction and Insulation

The core and coil assembly is encapsulated in resin within a molded case. The case is molded with GE Valox thermoplastic polyester resin. This tough material has excellent electrical and mechanical properties over a wide temperature range, has low water absorption and is resistant to oil and a variety of chemicals. The polyurethane resin filling completely encapsulates the winding, leads and terminals to form a waterproof unit. Cast units are molded in polyurethane resin and have slightly larger dimensions.

## Core and Coils

The core is made from high quality grain oriented silicon steel, annealed under rigidly controlled factory conditions. The secondary winding is made of heavy enameled copper wire. The secondary windings are evenly distributed around the core for maximum accuracy and resistance to stray fields from adjacent conductors.

## Terminals

Secondary terminals are tin plated brass, compression type with a 0.275" diameter cross-hole for wiring and a 1/4-28 clamp screw. A shorting device is provided and interlocked to the terminal cover. The terminal cover is made of a clear plastic. Provision is made for sealing the cover.

## Polarity

Primary and secondary marks H1, H2 and X1, X2 are molded into the case. In addition, H1 and X1 are identified by white dots. Cast units designate H1 with a white polarity mark only.

## Primary Conductor

These transformers are primarily intended for installation over the bushing and terminal blade of pad mount transformers, which then forms the primary conductor.

## Nameplates

The nameplate is laser engraved aluminum. It is attached to the top of the unit and has provision for attaching the user's identifying tag. The nominal current rating is on both faces of the unit in large numerals.

## Mounting

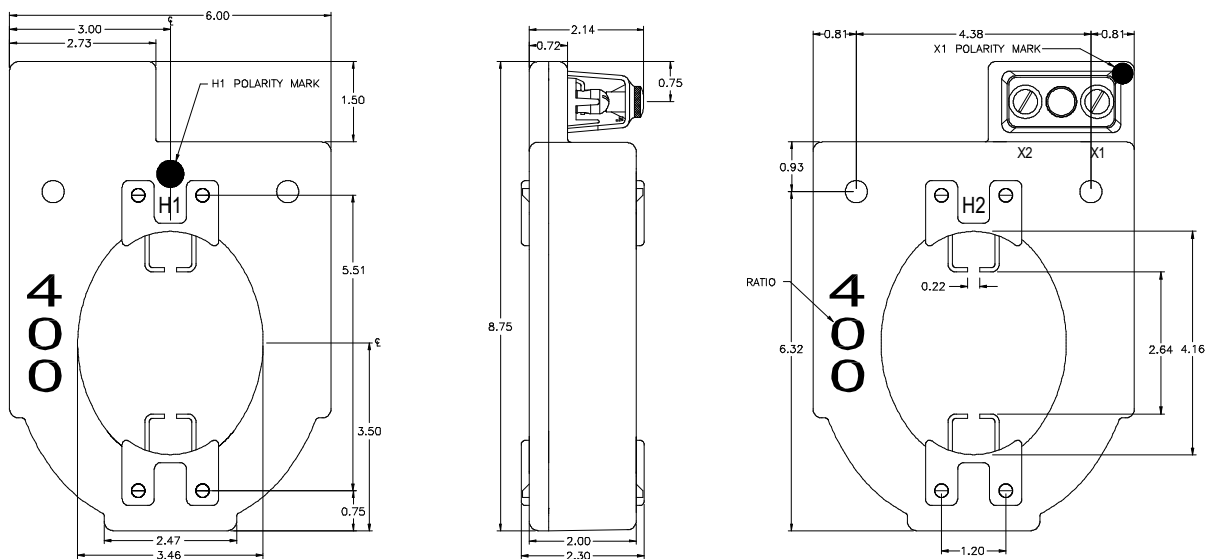
The transformer can be mounted in any position but is usually installed on the pad mount transformer terminal blade using the Valox "grabbers". The grabbers are removable and the transformer also has two mounting holes allowing it to be attached to a mounting bracket.

## Maintenance

These transformers require no maintenance, other than occasional cleaning, if installed where air contamination is severe.

Data subject to change without notice

To purchase or obtain more information about GE Instrument Transformer products, please call GE Multilin at 1-800-547-8629. Product information is also available on our web site at <http://www.GEMultilin.com>. Click on the Product Index button (right column), select Transformers and follow the menus to **Product Information** or a **Solutions Advisor**.



JAB-OC Dimensions

USA, Canada, Asia, Latin America

Tel: +1-800-547-8629

Fax: +1-905-201-2455

e-mail: [sales.multilin@ge.com](mailto:sales.multilin@ge.com)

Europe, Middle East, Africa

Tel: +34-94-485-88-00

Fax: +34-94-485-88-45

e-mail: [gmultilin.euro@ge.com](mailto:gmultilin.euro@ge.com)