

Construction and Insulation

The core and coil assembly is encapsulated in resin within a molded case. The case is molded with GE Valox thermo-plastic polyester resin. This tough material has excellent electrical and mechanical properties over a wide temperature range, has low water absorption and is resistant to oil and a variety of chemicals. The polyurethane resin filling completely encapsulates the winding, leads and terminals to form a waterproof unit.

Core and Coils

The core is made from high quality grain oriented silicon steel, annealed under rigidly controlled factory conditions. The secondary windings are evenly distributed around the core for maximum accuracy and resistance to stray fields from adjacent conductors.

Terminals

Secondary terminals are tin plated brass, compression type with a 0.275" diameter cross-hole for wiring and a 1/4-28 clamp screw. A shorting device is provided and interlocked to the terminal cover. The terminal cover is made of a clear plastic. Provision is made for sealing the cover.

Conduit Attachment

A secondary conduit box, in place of the secondary terminal block, is available. It is suitable for outdoor applications. Box and cover are made of aluminum with a black finish. The cover has a gasket and four sealable thumbscrews. Two boxes are required for dual ratio transformers. Please contact the factory for special catalog numbers that accept this option.

Polarity

Primary and secondary marks H1 and X1 are molded into the case.

Primary Conductor

Removable primary bars are formed from 1/4" X 4" tin-plated, flat copper bar, with 1/4" spacing between bars on multiple bar assemblies. The bars are retained by ventilated end caps, which permit the bars to be rotated to any desired orientation and allow the transformer to be supported in a vertical primary arrangement. A potential connector is provided adjacent to one end cap. Primary bars are available in 11 7/8" and 14 1/4" lengths, each provided with four bolt holes at each end.

Nameplates

The nameplate is laser engraved aluminum. It is attached to the top of the unit and has provisions for attaching the user's identifying tag. The nominal current rating is marked on the side of the unit in large numerals.

Baseplate and Mounting

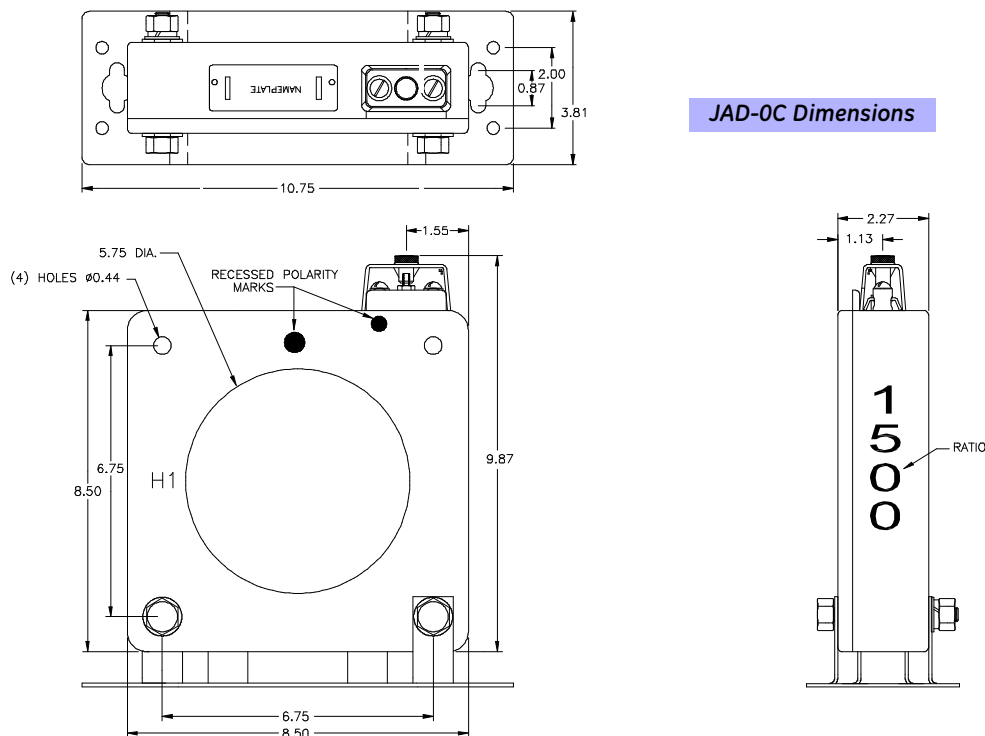
The transformer can be mounted in any position. An optional base plate is available, made of stainless steel plate. It is attached to the transformer with two bolts.

Maintenance

These transformers require no maintenance, other than occasional cleaning if installed where air contamination is severe.

Data subject to change without notice

To purchase or obtain more information about GE Instrument Transformer products, please call GE Multilin at 1-800-547-8629. Product information is also available on our web site at <http://www.GEMultilin.com>. Click on the Product Index button (right column), select Transformers and follow the menus to **Product Information** or a **Solutions Advisor**.



USA, Canada, Asia, Latin America

Tel: +1-800-547-8629

Fax: +1-905-201-2455

e-mail: sales.multilin@ge.com

Europe, Middle East, Africa

Tel: +34-94-485-88-00

Fax: +34-94-485-88-45

e-mail: gmultilin.euro@ge.com