



Indoor Current Transformers

Model JAI-OC & JAU-OC 600V, 10kV BIL, 50-800A

Window Diameter 1.05"/1.10"/2.06"/3.00"



APPLICATION

Designed for indoor service. Suitable for use with indicating instruments and energy management systems. Due to their very low burden capability, these transformers are not normally used with watt-hour meters for revenue billing.

REGULATORY AGENCY APPROVALS

UL Recognized FileE93779

RATING FACTOR

1.0 @ 30°C

WEIGHT (approximate)

Transformer with 1.05" window0.5 lbs
 Transformer with 2.06" window0.6 lbs
 Transformer with 3.00" window0.9 lbs

REFERENCE DRAWINGS

Outlines
 JAI-OC0121C33705
 JAU-OC0121C33701

INSULATION LEVEL

0.6kV; Designed for use with insulated conductors.

FREQUENCY

50-60 Hz

JAI-OC/JAU-OC DATA TABLE							
Current Ratio (Amps) Pri: Sec	Operation at 60 Hz		Dimensions, in inches (See Outline Drawings)			Catalog Number	
	Accuracy	Burden	Outside Dim. A x B	Window Dia. C	Thickness D	JAI-OC	JAU-OC
50:5	3%	1.5 VA @ 1.0 PF	2.47 X 2.74	1.05	1.05	--	750X191001
60:5	2%	2 VA @ 1.0 PF	2.47 X 2.74	1.05	1.05	--	750X191002
75:5	2%	2 VA @ 1.0 PF	2.47 X 2.74	1.05	1.05	--	750X191003
80:5	2%	2 VA @ 1.0 PF	2.47 X 2.74	1.05	1.05	--	750X191004
100:5	1%	2 VA @ 1.0 PF	2.47 X 2.74	1.05	1.05	--	750X191005
120:5	1%	2.5 VA @ 0.9 PF	2.47 X 2.74	1.05	1.05	--	750X191006
125:5	1%	2.5 VA @ 0.9 PF	2.47 X 2.74	1.05	1.05	--	750X191007
150:5	1%	4 VA @ 0.9 PF	2.47 X 2.74	1.05	1.05	--	750X191008
200:5	1%	4 VA @ 0.9 PF	2.47 X 2.74	1.05	1.05	--	750X191010
100:5	1%	1 VA @ 1.0 PF	3.43 X 3.74	2.06	1.10	750X193011	750X191011
150:5	1%	2.5 VA @ 0.9 PF	3.43 X 3.74	2.06	1.10	750X193012	750X191012
200:5	1%	4 VA @ 0.9 PF	3.43 X 3.74	2.06	1.10	750X193013	750X191013
250:5	1%	6 VA @ 0.9 PF	3.43 X 3.74	2.06	1.10	750X193014	750X191014
300:5	1%	7.5 VA @ 0.9 PF	3.43 X 3.74	2.06	1.10	750X193015	750X191015
400:5	1%	10 VA @ 0.9 PF	3.43 X 3.74	2.06	1.10	750X193016	750X191016
500:5	1%	12.5 VA @ 0.9 PF	3.43 X 3.74	2.06	1.10	750X193017	750X191017
200:5	1%	5 VA @ 0.9 PF	4.50 X 4.88	3.00	1.10	750X193018	750X191018
250:5	1%	5 VA @ 0.9 PF	4.50 X 4.88	3.00	1.10	750X193019	750X191019
300:5	1%	6 VA @ 0.9 PF	4.50 X 4.88	3.00	1.10	750X193020	750X191020
400:5	1%	10 VA @ 0.9 PF	4.50 X 4.88	3.00	1.10	750X193021	750X191021
500:5	1%	10 VA @ 0.9 PF	4.50 X 4.88	3.00	1.10	750X193022	750X191022
600:5	1%	10 VA @ 0.9 PF	4.50 X 4.88	3.00	1.10	750X193023	750X191023
750:5	1%	10 VA @ 0.9 PF	4.50 X 4.88	3.00	1.10	750X193024	750X191024
800:5	1%	12.5 VA @ 0.9 PF	4.50 X 4.88	3.00	1.10	750X193025	750X191025

Construction and Insulation

The core and coil are enclosed in a case molded with GE Noryl thermoplastic PPO resin. This material has excellent electrical and mechanical properties over a wide temperature range, low water absorption and is flame resistant.

Core and Coils

The core is made from high quality grain oriented silicon steel, annealed under rigidly controlled factory conditions. The secondary winding is made of heavy enameled copper wire. The secondary windings are evenly distributed around the core for maximum accuracy and resistance to stray fields from adjacent conductors.

Terminals

Secondary terminals on Model JAI-0C are No. 8-32 brass studs with one flat washer and one lock-washer and a regular nut. Model JAU-0C has 24" flexible leads of #16 stranded wire.

Polarity

The H1 polarity mark is molded into the case, at the side of the window on one face. The X1, X2 polarity marks are also molded into the case adjacent to the secondary terminals. On Model JAU-0C, the polarity X1 lead is white and the non-polarity X2 lead is black.

Primary Conductor

These units are designed to be placed over an insulated cable which forms the primary winding.

Nameplates

The nameplate is a polyester label attached to the side of the transformer.

Mounting

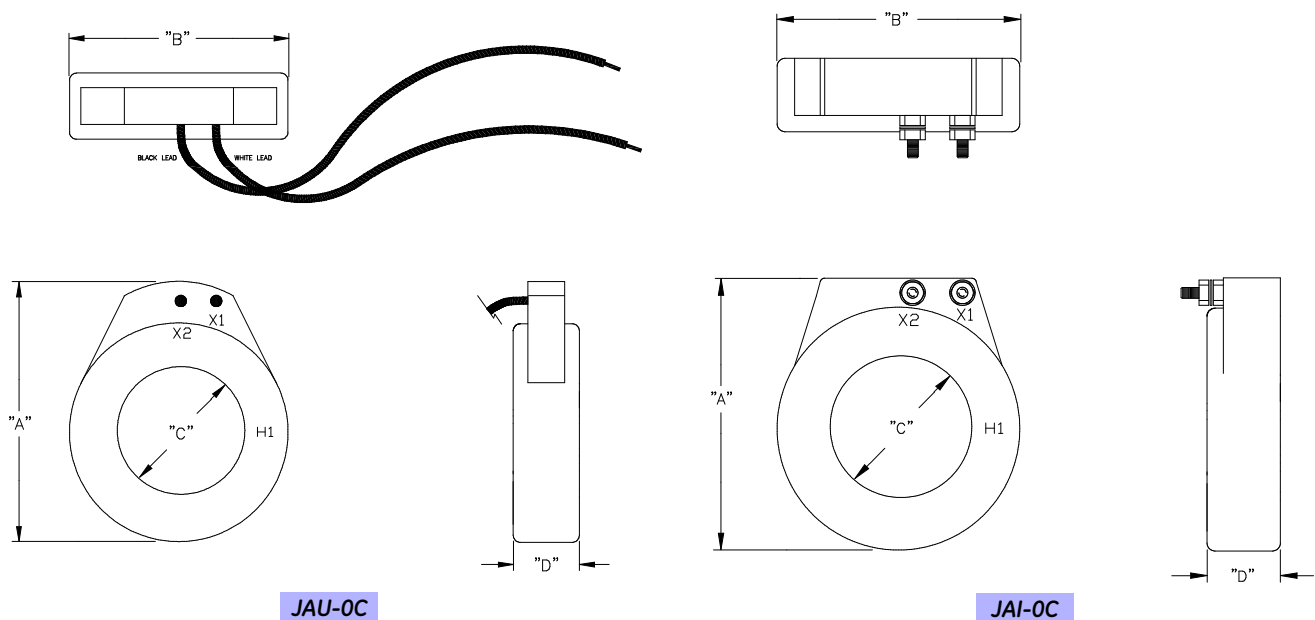
The transformer can be mounted in any position. And, may be suspended from the bus-bar or cable.

Maintenance

These transformers require no maintenance, other than occasional cleaning, if installed where air contamination is severe.

Data subject to change without notice

To purchase or obtain more information about GE Instrument Transformer products, please call GE Multilin at 1-800-547-8629. Product information is also available on our web site at <http://www.GEMultilin.com>. Click on the Product Index button (right column), select Transformers and follow the menus to **Product Information** or a **Solutions Advisor**.



Refer to Data Table for Dimensions

USA, Canada, Asia, Latin America

Tel: +1-800-547-8629

Fax: +1-905-201-2455

e-mail: sales.multilin@ge.com

Europe, Middle East, Africa

Tel: +34-94-485-88-00

Fax: +34-94-485-88-45

e-mail: gmultilin.euro@ge.com