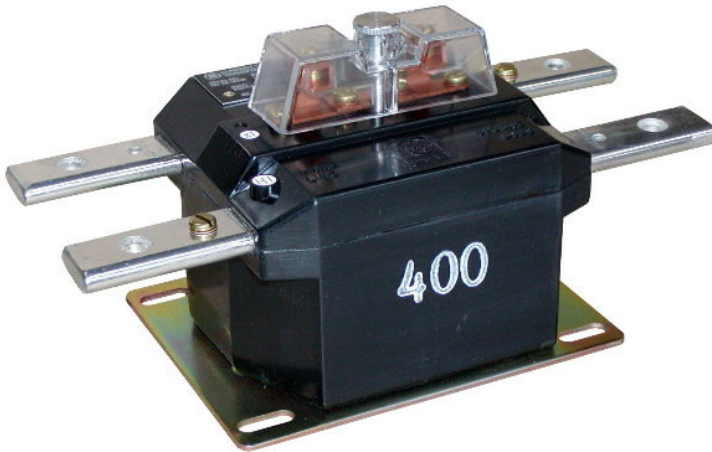




**Indoor Current Transformer**  
**Model JCA-0C 600V, 10kV BIL, 50-1200A**  
 Wound Primary



**APPLICATION**

Designed for indoor service. Suitable for operating meters, relays and control devices.

**WEIGHT**

(approximate) .....9 lbs

**REFERENCE DRAWINGS**

Outlines  
 50-400A .....0121C02960  
 500-1200A .....0121C02557

**INSULATION LEVEL**

0.6kV; BIL 10kV full wave

**FREQUENCY**

50-60 Hz

**JCA-0C DATA TABLE**

Current Ratio (Amps) Pri : Sec	ANSI Accuracy Class, 60 Hz Burden Per ANSI		Continuous Thermal Current Rating Factor	Catalog Number
	BO.1	BO.2	@ 30° C Amb.	
50:5 & 50:5	0.3	0.3	1.5	750X130601
100:5 & 100:5	0.3	0.3	1.5	750X130602
150:5 & 150:5	0.3	0.3	1.5	750X130603
200:5 & 200:5	0.3	0.3	1.5	750X130604
300:5 & 300:5	0.3	0.3	1.5	750X130605
400:5 & 400:5	0.3	0.3	1.5	750X130606
500:5 & 500:5	0.3	0.3	1.5	750X130607
600:5 & 600:5	0.3	0.3	1.5	750X130608
800:5 & 800:5	0.3	0.3	1.5	750X130609
1000:5 & 1000:5	0.3	0.3	1.2	750X130610
1200:5 & 1200:5	0.3	0.3	1.0	750X130611

### Construction and Insulation

The core and coil are encapsulated in polyurethane resin within a molded case. This material has excellent electrical and mechanical properties over a wide temperature range, has very low water absorption and is resistant to oil and a variety of chemicals.

### Core and Coils

The core is made from high quality grain oriented silicon steel, annealed under rigidly controlled factory conditions. The secondary winding is made of heavy enameled copper wire. The secondary windings are evenly distributed around the core for maximum accuracy and resistance to stray fields from adjacent conductors.

### Terminals

Secondary terminals are tin plated brass, compression type. A shorting device is provided and interlocked to the terminal cover in such a way as to prevent connection error. The terminal cover is made of a clear plastic. Provision is made for sealing the cover.

### Primary Bars

The primary terminals are tin plated copper bars.  
3/8" bolts - 400:5 and below,  
1/2" bolts - 500:5 and above.

### Polarity

Primary and secondary polarity marks H1, H2 and X1, X2 are molded into the case.

### Nameplate

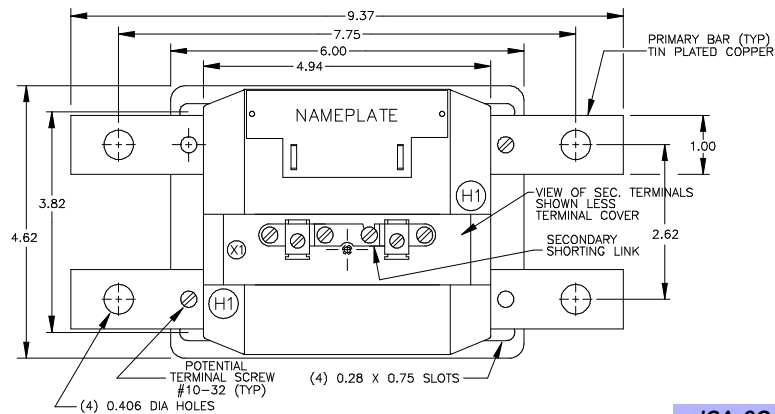
The nameplate is laser engraved aluminum. The nominal current rating of the transformer is marked on the side in large numerals.

### Maintenance

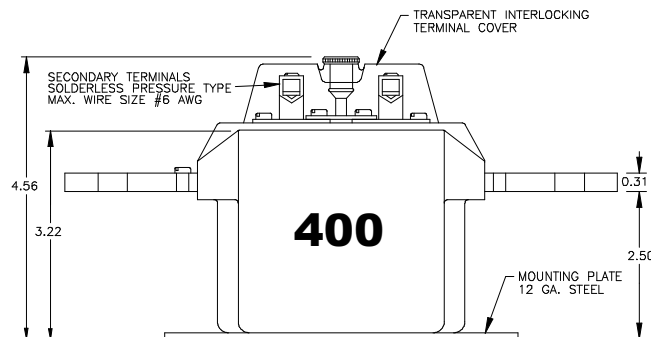
These transformers require no maintenance, other than occasional cleaning, if installed where air contamination is severe.

Data subject to change without notice

To purchase or obtain more information about GE Instrument Transformer products, please call GE Multilin at 1-800-547-8629. Product information is also available on our web site at <http://www.GEMultilin.com>. Click on the Product Index button (right column), select Transformers and follow the menus to **Product Information** or a **Solutions Advisor**.



JCA-0C Dimensions



USA, Canada, Asia, Latin America

Tel: +1-800-547-8629

Fax: +1-905-201-2455

e-mail: [sales.multilin@ge.com](mailto:sales.multilin@ge.com)

Europe, Middle East, Africa

Tel: +34-94-485-88-00

Fax: +34-94-485-88-45

e-mail: [gmultilin.euro@ge.com](mailto:gmultilin.euro@ge.com)