



GE-ITI

# Overhead Primary Metering Assembly Three - phase primary metering

**APPLICATION**

Designed for outdoor service for three phase, pole mounted, primary metering

**INSULATION**

Dry Type, Hydrophobic Cycloaliphatic Epoxy (HCEP) or Hy-Bute-60  
60kV – 200 kV BIL available

**FREQUENCY**

60Hz

**CONFIGURATIONS**

Three-phase, Four-wire  
3 CT & 3 VT  
3 CT & 2 VT  
Three-phase, Three-wire  
2 CT & 2 VT

## General Information

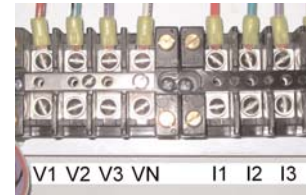
Overhead Primary Metering Assemblies (OPMA) are one of the many custom offerings available from GE-ITI. HCEP MV instrument transformers are manufactured in ITI's Clearwater, FL plant utilizing state of the art Automated Pressure Gelation (APG) processes and Hydrophobic Cycloaliphatic Epoxy (HCEP). Every OPMA is manufactured to each customers specific requirements with multiple configurations offered. CT/VT combinations are provided pre-assembled on an aluminum frame and wired to a conduit box. More complex value-added services available upon request. Available in HCEP or Hy-Bute-60 insulation, w/standard or high accuracy.

**OVERHEAD PRIMARY METERING TABLE**

OPMA Rating	VT Types Available	CT Types Available
5	JVW-3C / JVW-4C	JCK-3C, JCK-4C / JKW-3C, JKW-4C
15	JVW-110C / JVW-5C	JCK-5C / JKW-5C
25	JVW-6C	JKW-6C
34.5	JVW-7C	JKW-7C

### VT/CT Construction

Insulation - Hydrophobic Cycloaliphatic Epoxy (HCEP)  
Baseplate - Heavy gage marine grade aluminum  
Conduit box - Cast aluminum, removable, 1" threaded hubs  
Nameplate - Anodized aluminum  
Mounting - Horizontal, Vertical, Inverted



Conduit Box

### OPMA Construction

Mounting bracket - Aluminum plate with welded extrusions  
Pole Mount - Thru-bolt mounting standard to accommodate two 5/8" bolts  
Hardware - Stainless Steel hardware  
Wiring - 10 AWG THHN/THWN within 1" flexible conduit  
Junction box - NEMA 3R with wire terminations on a screw-type terminal strip



Junction Box

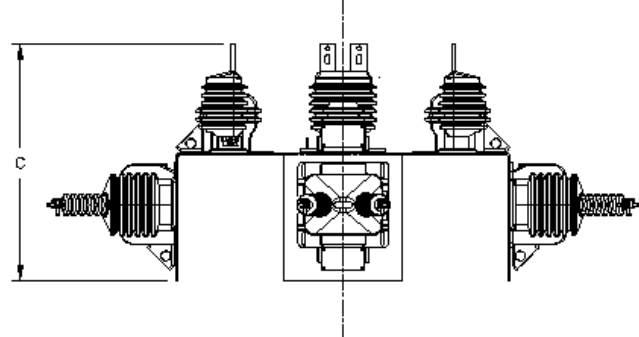
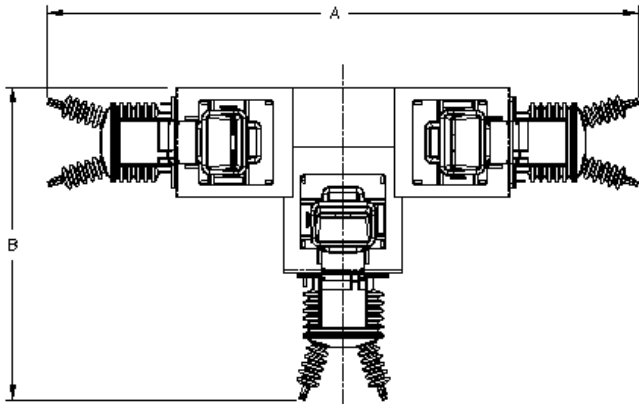
### VALUE-ADDED SERVICES

- Build for overhead-to-overhead (CT's on top) or overhead-to-underground (VT's on top) applications
- Install HV jumpers between CT's and VT's
- Install HV pigtails to CT's / VT's (5 kV riser wire, #2 CU or user specified)
- Prewired meter socket and test switches with user specified length of control cable
- Wire directly from last IT to meter socket, or provide junction box on PMS
- Insulate and protect from wildlife all HV connections and pigtails
- Install and connect one set of surge arresters on HV connections
- Wire per customer color codes and wire types/sizes

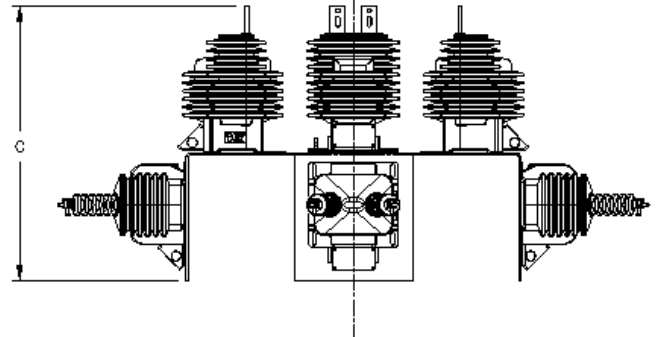
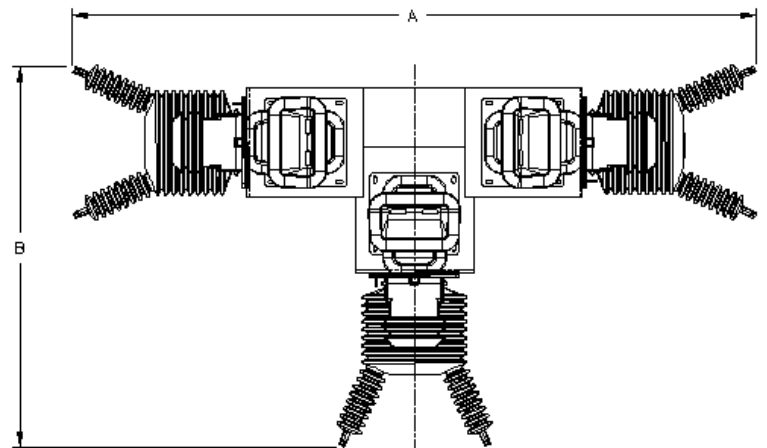
---

To purchase or obtain more information about GE Instrument Transformer products, please call GE Multilin at 1-800-547-8629. Product information is also available on our web site at <http://www.GEDIGITALENERGY.COM>. Click on the Product Index button (right column), select Transformers and follow the menus to **Product Information** or a **Solutions Advisor**.

5/15 kV



25/34.5 kV



KV CLASS	DIM. "A"	DIM. "B"	DIM. "C"
5/15 kV	75.25"	39.88"	30.13"
25 kV	86.88"	48.50"	34.88"
35 kV	89.00"	49.50"	34.88"

North America/Worldwide  
 Toll Free: +1-800-547-8629 (NA Only)  
 Tel: +1-905-294-6222  
 Fax: +1-905-201-2098  
 e-mail: [gemultilin@ge.com](mailto:gemultilin@ge.com)

Brazil  
 Tel: +55-11-2178-1749  
 Fax: +55-11-2178-1711  
 e-mail: [gemultilin@ge.com](mailto:gemultilin@ge.com)

ASIA  
 Tel: +86-21-2401-3208  
 Fax: +86-21-5423-5080  
 e-mail: [gemultilin@ge.com](mailto:gemultilin@ge.com)

Europe, Middle East, Africa  
 Tel: +34-94-485-88-54  
 Fax: +34-94-485-88-35  
 e-mail: [gemultilin.euro@ge.com](mailto:gemultilin.euro@ge.com)

Please refer to our website [www.GEDIGITALENERGY.COM](http://www.GEDIGITALENERGY.COM) for more detailed contact information

# OPMA ORDER CHECKLIST

## PLEASE FILL OUT WITH REQUIREMENTS AND SUBMIT FOR QUOTATION

### Assembly options:

System voltage (phase-to-phase) and type (delta, Wye, or grd. Wye)	_____ kV	_____ Type
Meter form to be used (i.e. form 3S, 4S, 9S, 36S, 45S, 56S, 10A, etc.)		
Overhead-to-overhead configuration or overhead-to-underground configuration	_____ OH-OH	_____ OH-UG
Max. Primary Current, amps (CT ratio x RF): i.e. 150 A for 50:5 w/ RF=3, see note 1	_____ Amps	
VT ratio (i.e. 60:1) see note 2	_____ :1	
HV surge arresters: heavy duty is standard, specify duty cycle (kV), i.e. 18 kV	Yes	No _____ kV
Protected HV Jumpers between CT and VT (5 kV riser wire, insulated terminals)	Yes	No
Protected HV pigtailed to overhead lines (5 kV riser wire, insulated terminals), see note 3	Yes	No
Install and connect one set of surge arresters on HV connections	Yes	No

### Secondary Wiring (see notes 5 below):

Option A: Wire to junction box and leave 25 feet from JB with a 3 ft. pigtail of 1" flex (note 4 below)	Yes	No
Option B: stub out 30 feet of control cable from last transformer in loop	Yes	No
Option C: Wire to junction box only	Yes	No
Include prewired meter socket and test switch (requires option A or B above) For shipping purposes, leads will be disconnected from socket to allow customer to feed through his conduit; socket will have a 1" hub on top)	Yes	No
Meter (User Specified)	Yes	No
Desire LV leads to be reversed on one CT to avoid crossing incoming and outgoing primary leads?	Yes	No

### Notes:

- 1 CT rating factor to be used will be based on 30oC ambient unless specified higher.
- 2 VT's will be 2-bushing unless otherwise specified.
- 3 Maximum current capacity for HV pigtailed is 250 amps with 1/0 str. copper.
- 4 Standard secondary configuration is to bring all leads continuously through 1" flexible conduit to a junction box with terminal blocks (shorting type for CT's). A 3" stub of 1" flex will be left from the junction box with a 1" male threaded nipple for later insertion onto 1" conduit.
- 5 Standard secondary conductor is 12/7 type TC cable, 30 feet from junction box to end, coiled up. When meter socket is specified, it will be prewired and the color code for the incoming control wiring will be clearly marked.

### Special Comments:

North America/Worldwide  
Toll Free: +1-800-547-8629 (NA Only)  
Tel: +1-905-294-6222  
Fax: +1-905-201-2098  
e-mail: [gemultilin@ge.com](mailto:gemultilin@ge.com)

Brazil  
Tel: +55-11-2178-1749  
Fax: +55-11-2178-1711  
e-mail: [gemultilin@ge.com](mailto:gemultilin@ge.com)

ASIA  
Tel: +86-21-2401-3208  
Fax: +86-21-5423-5080  
e-mail: [gemultilin@ge.com](mailto:gemultilin@ge.com)

Europe, Middle East, Africa  
Tel: +34-94-485-88-54  
Fax: +34-94-485-88-35  
e-mail: [gemultilin.euro@ge.com](mailto:gemultilin.euro@ge.com)